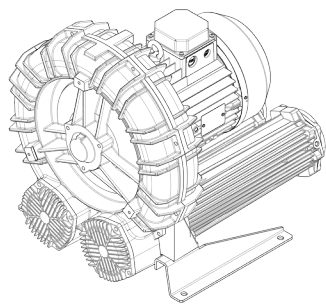


Technical Characteristics	
<ul style="list-style-type: none"> - Aluminum alloy construction - Smooth operation - Maintenance free 	
Electric Motor	
<ul style="list-style-type: none"> - Motors with IP 55 protection rating. - class F insulation, suitable for operating with inverter (refer to FPZ) - Thermal Protector (PTO) as standard 	
Options	
<ul style="list-style-type: none"> - Special voltages (IEC 60038) - Surface treatments - Increased seal version 	

~3	[V] (Δ / γ)		[Hz]
	≤ 4 kW	> 4 kW	
IE2	230 / 400	400 / 690	50
	265 / 460	460 / 795	60
Wide Range	200 - 240 / 345 - 415	345 - 415 / 600 - 720	50
	220 - 280 / 380 - 480	380 - 480 / 660 - 830	60

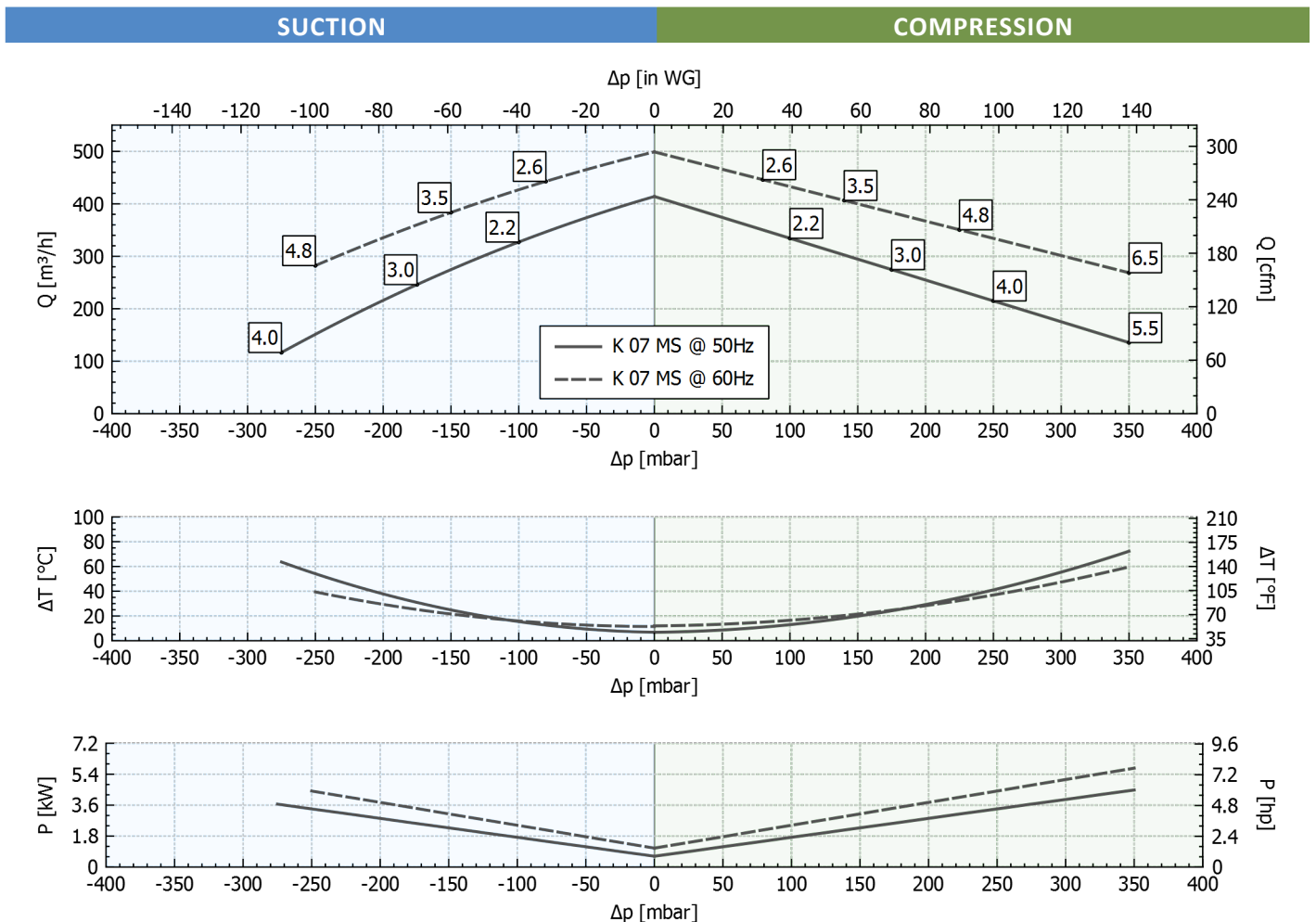
Supply voltage - IE2 only at 50 Hz - Tolerance on the fixed voltage value $\pm 10\%$, in range $\pm 5\%$.



Performance Table

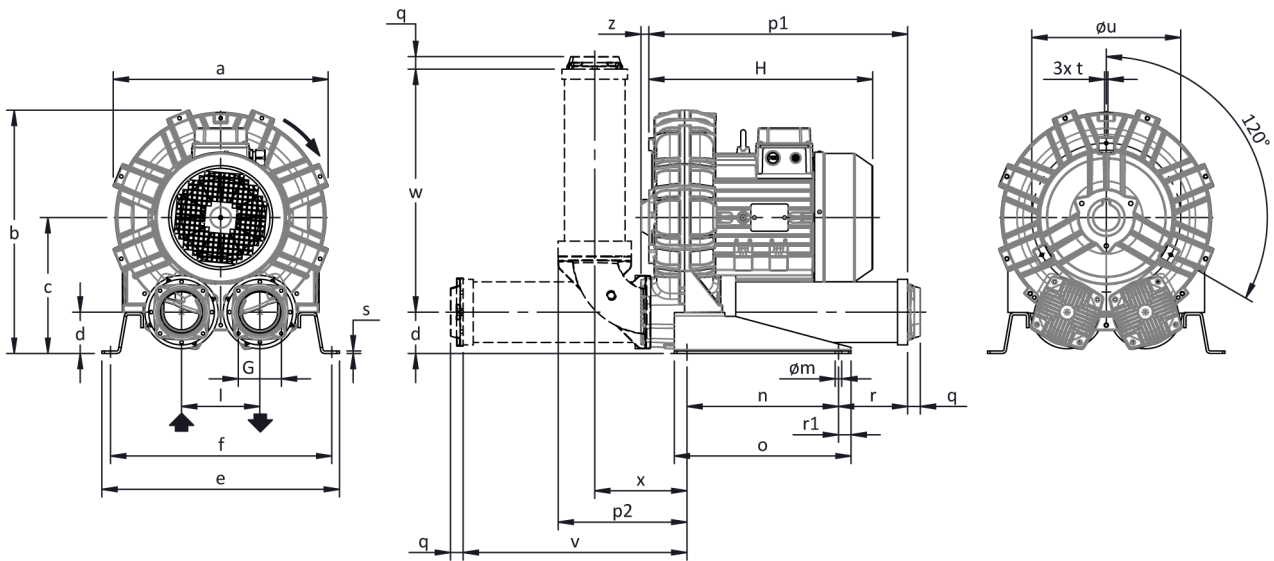
P_n [kW]	Frequency [Hz]	Δp_{max} [mbar]		Q_{max} [m ³ /h]	Leq ¹ [dB(A)]	Weight [kg]	H ³ [mm]	Current Consumption (Δ / γ) [A]		Cos ϕ [-]	Speed [rpm]
		Suction	Compression					IE2 ²	Range		
2.2	50	100	100	414	75.4	52.5	400	5.00 / 8.66	5.10-5.20 / 8.83-9.00	0.75	2945
2.6	60	80	80	499	77.4	52.5	400	4.95 / 8.57	5.40-5.00 / 9.35-8.66	0.79	3540
3	50	175	175	414	75.4	52.5	400	6.27 / 10.8	6.88-6.36 / 11.9-11.0	0.82	2920
3.5	60	150	140	499	77.4	52.5	400	6.23 / 10.8	7.29-6.23 / 12.6-10.8	0.84	3515
4	50	275	250	414	75.4	53.7	415	8.12 / 14.05	8.80-8.26 / 15.2-14.3	0.82	2910
4.8	60	250	225	499	77.4	53.7	415	8.10 / 14.03	9.37-8.10 / 16.2-14.0	0.84	3480
5.5	50	-	350	414	75.4	67.3	445	6.40 / 11.1	6.81-6.75 / 11.8-11.7	0.8	2940
6.5	60	-	350	499	77.4	67.3	445	6.38 / 11.1	7.21-6.47 / 12.5-11.2	0.84	3535

1. Noise level measured at a distance of 1 m with ducted intake and delivery, in accordance with Standard ISO 3744.
 2. IE2 only at 50 Hz.
 3. See figure "dimensions" at following page.



Tolerance on indicated values $\pm 10\%$.
 Data subject to change without notice.
 Curves referring to air at a temperature of 20 °C and atmospheric pressure of 1013 mbar (abs).

Dimensions



Configuration with a vertical silencer is only available with the CK accessory kit; for all assembly options refer to FPZ.
 NOT Binding
 Dimensions in mm

a	b	c	d	d1	e	f	G	l	l1	l2	m	n	o	p1	p2	q	r	r1	s	t	u	v	w	x	y	z
424	481	269	82	-	470	438	G 3"	155	-	-	13	300	350	512	255	25	137	25	5	M8	295	443	481	183	-	16

INSTALLATION

- For proper operation of the machine, it must be provided with a suction FILTER and a vacuum/pressure limiting VALVE.
- Other accessories are available on request.
- Permissible ambient and fluid temperature in suction from -15 °C to +40 °C.
- Read the instruction manual carefully before installing the machine.