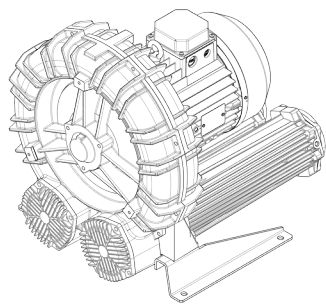


Technical Characteristics	
<ul style="list-style-type: none"> - Aluminum alloy construction - Smooth operation - Maintenance free 	
Electric Motor	
<ul style="list-style-type: none"> - Motors with IP 55 protection rating. - class F insulation, suitable for operating with inverter (refer to FPZ) - Thermal Protector (PTO) as standard 	
Options	
<ul style="list-style-type: none"> - Special voltages (IEC 60038) - Surface treatments - Increased seal version 	

~3	[V] (Δ / Y)	[Hz]
IE2	400 / 690	50
	460 / 795	60
Wide Range	345 - 415 / 600 - 720	50
	380 - 480 / 660 - 830	60

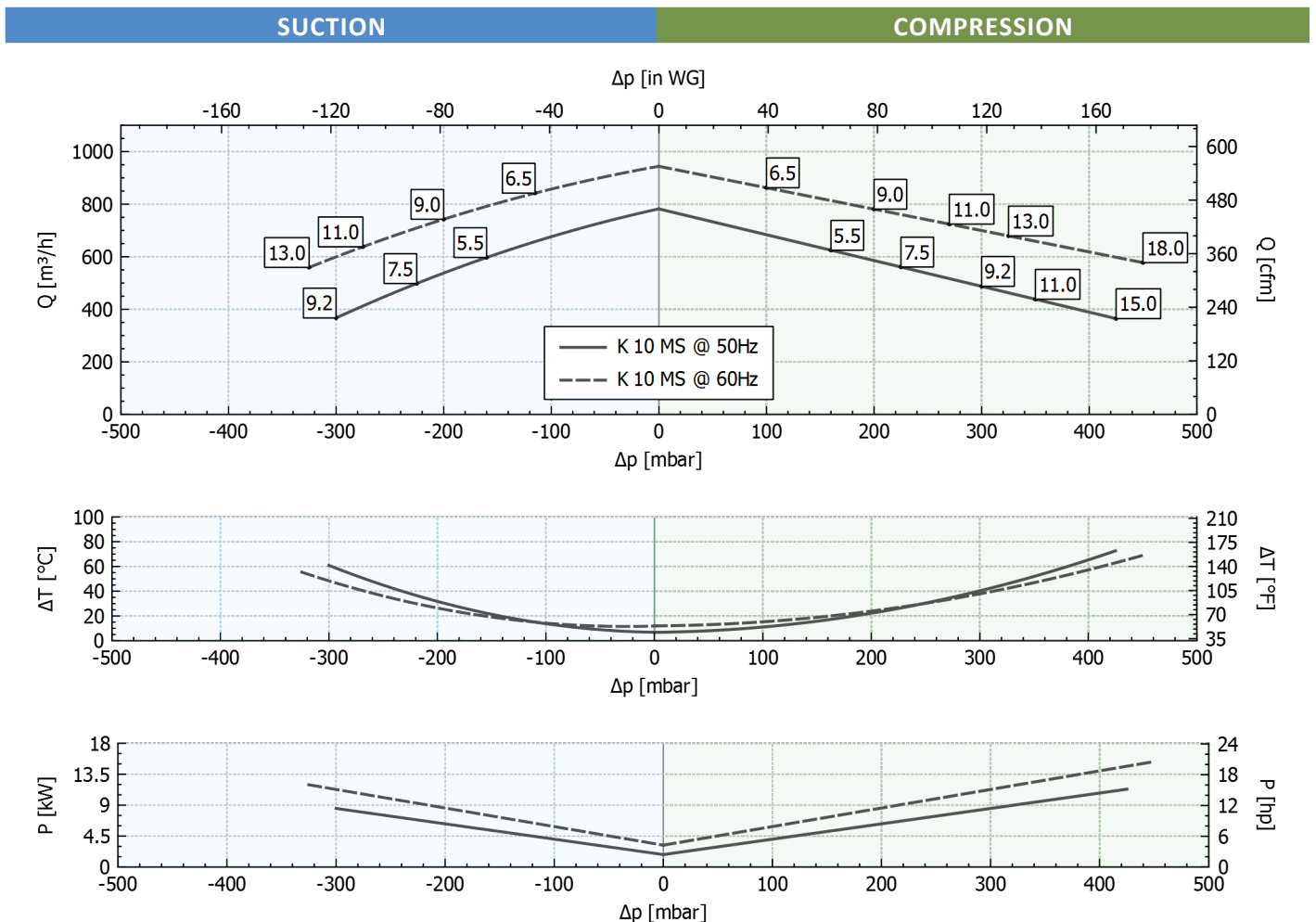
Supply voltage - IE2 only at 50 Hz - Tolerance on the fixed voltage value ± 10%, in range ± 5%.



Performance Table

P _n [kW]	Frequency [Hz]	Δp _{max} [mbar]		Q _{max} [m ³ /h]	Leq ¹ [dB(A)]	Weight [kg]	H ³ [mm]	Current Consumption (Δ / Y) [A]		Cosφ [-]	Speed [rpm]
		Suction	Compression					IE2 ²	Range		
5.5	50	160	160	782	77.4	80.5	455	6.40 / 11.1	6.81-6.75 / 11.8-11.7	0.8	2940
6.5	60	115	100	944	79.4	80.5	455	6.38 / 11.1	7.21-6.47 / 12.5-11.2	0.84	3535
7.5	50	225	225	782	77.4	85.5	455	9.06 / 15.7	9.18-9.47 / 15.9-16.4	0.78	2940
9	60	200	200	944	79.4	85.5	455	8.86 / 15.34	9.87-9.00 / 17.1-15.6	0.83	3530
9.2	50	300	300	782	77.4	90.5	495	10.3 / 17.8	11.1-10.6 / 19.2-18.3	0.83	2940
11	60	275	270	944	79.4	90.5	495	10.3 / 17.9	11.9-10.3 / 20.6-17.9	0.86	3530
11	50	-	350	782	77.4	97	495	12.53 / 21.7	13.0-12.9 / 22.6-22.3	0.81	2940
13	60	325	325	944	79.4	97	495	12.2 / 21.2	13.8-12.4 / 23.9-21.4	0.84	3530
15	50	-	425	782	77.4	126	585	16.25 / 28.14	17.7-16.5 / 30.6-28.6	0.84	2950
18	60	-	450	944	79.4	126	585	15.6 / 27.0	18.2-15.5 / 31.6-26.8	0.87	3550

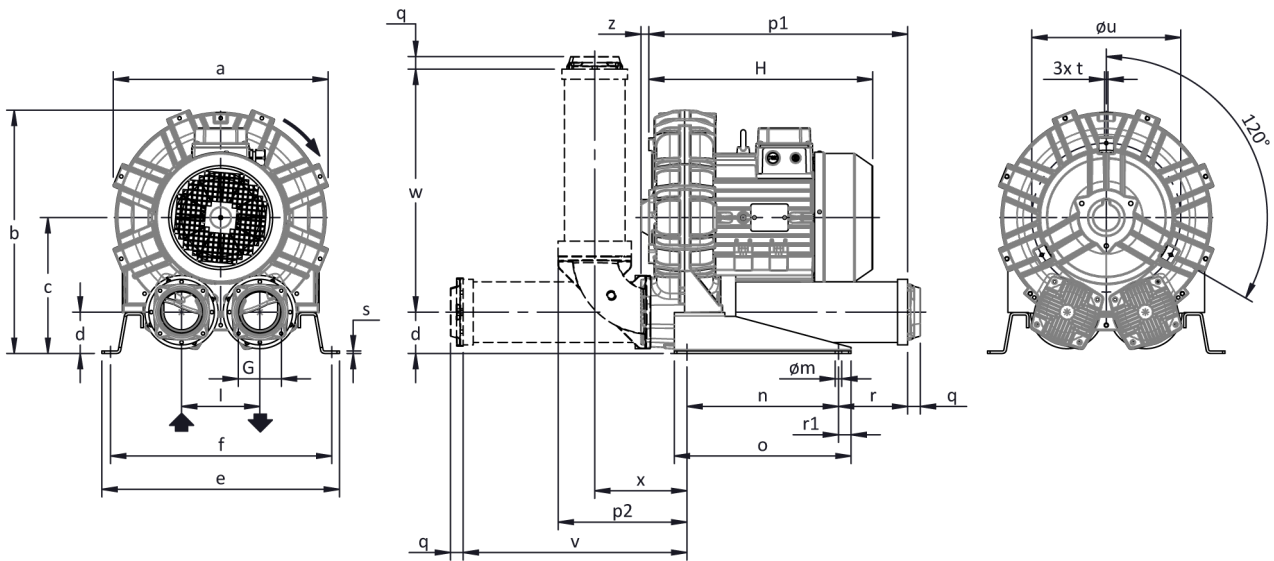
1. Noise level measured at a distance of 1 m with ducted intake and delivery, in accordance with Standard ISO 3744.
 2. IE2 only at 50 Hz.
 3. See figure "dimensions" at following page.



Tolerance on indicated values ± 10%.
 Data subject to change without notice.
 Curves referring to air at a temperature of 20 °C and atmospheric pressure of 1013 mbar (abs).



Dimensions



Configuration with a vertical silencer is only available with the CK accessory kit; for all assembly options refer to FPZ.

NOT Binding
 Dimensions in mm

a	b	c	d	d1	e	f	G	l	l1	l2	m	n	o	p1	p2	q	r	r1	s	t	u	v	w	x	y	z
516	573	315	96	-	510	478	G 4"	182	-	-	13	300	350	586	300	25	199	25	5	M8	360	505	556	215	-	16

INSTALLATION

- For proper operation of the machine, it must be provided with a suction FILTER and a vacuum/pressure limiting VALVE.
- Other accessories are available on request.
- Permissible ambient and fluid temperature in suction from -15 °C to +40 °C.
- Read the instruction manual carefully before installing the machine.